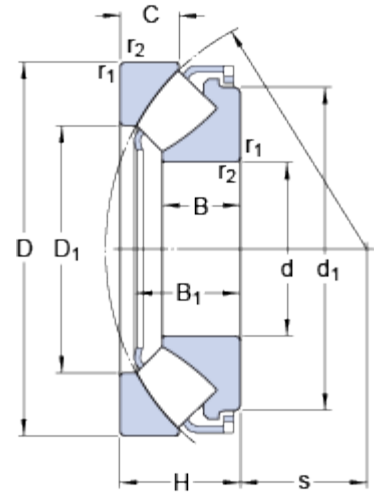


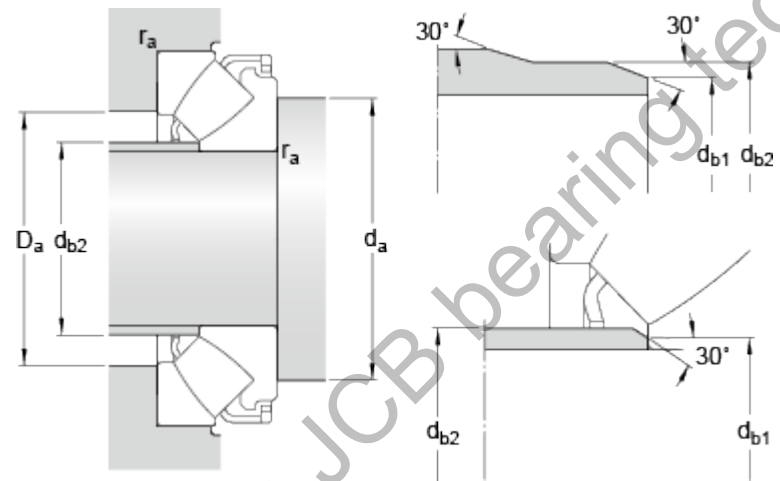
29426 E

Dimensions



d	130	mm
D	270	mm
H	85	mm
d ₁	≈ 234	mm
D ₁	≈ 185	mm
B	54	mm
B ₁	76	mm
C	40.9	mm
s	81	mm
r _{1,2}	min. 4	mm

Abutment dimensions



d _a	min. 195	mm
d _{b1}	max. 142.5	mm
d _{b2}	max. 153	mm
D _a	max. 227	mm
r _a	max. 3	mm

Calculation data

Basic dynamic load rating	C	1560	kN
Basic static load rating	C ₀	4050	kN
Fatigue load limit	P _u	430	kN
Reference speed		1300	r/min
Limiting speed		2400	r/min
Minimum axial load factor	A	1.6	

Mass

Mass bearing		22	kg
--------------	--	----	----